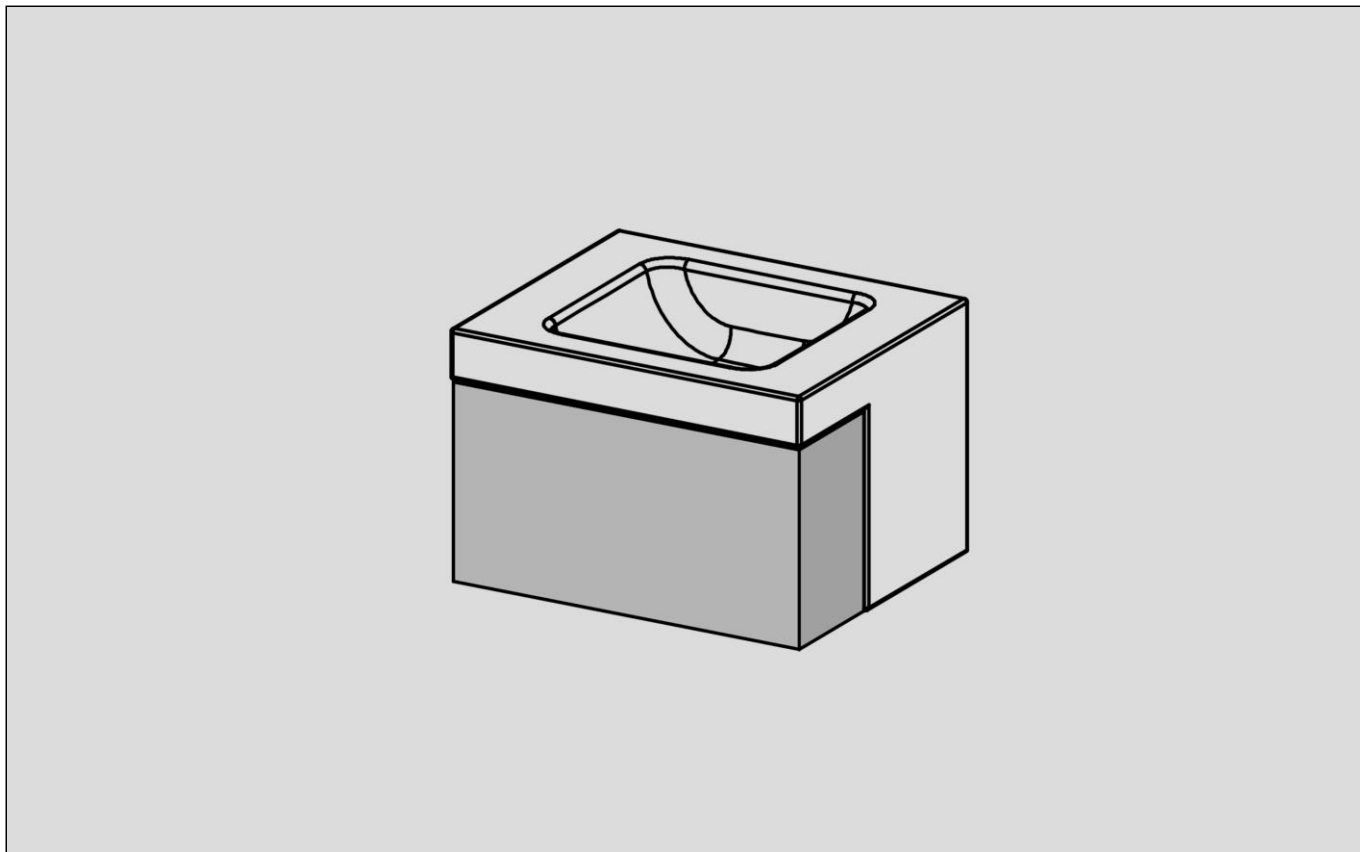
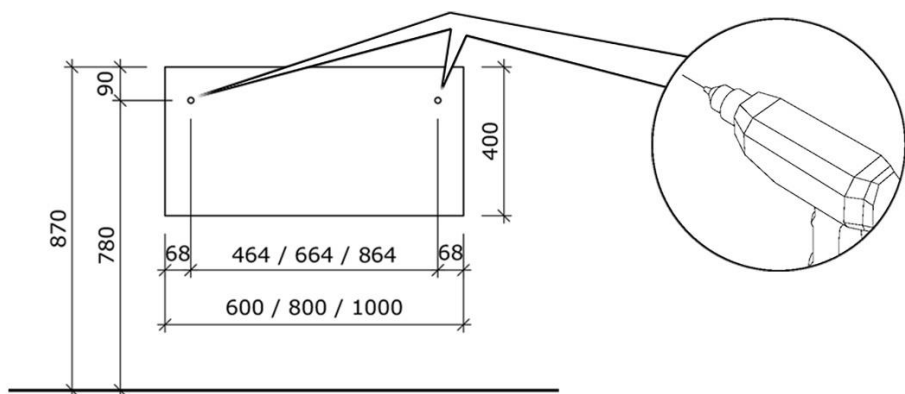


Schmidlin MERO EVO



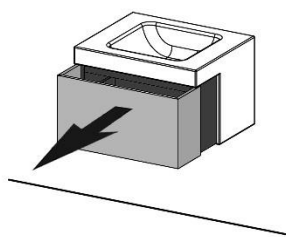
The installation must be carried out exactly according to these installation instructions, otherwise this can lead to a safety risk!

1.

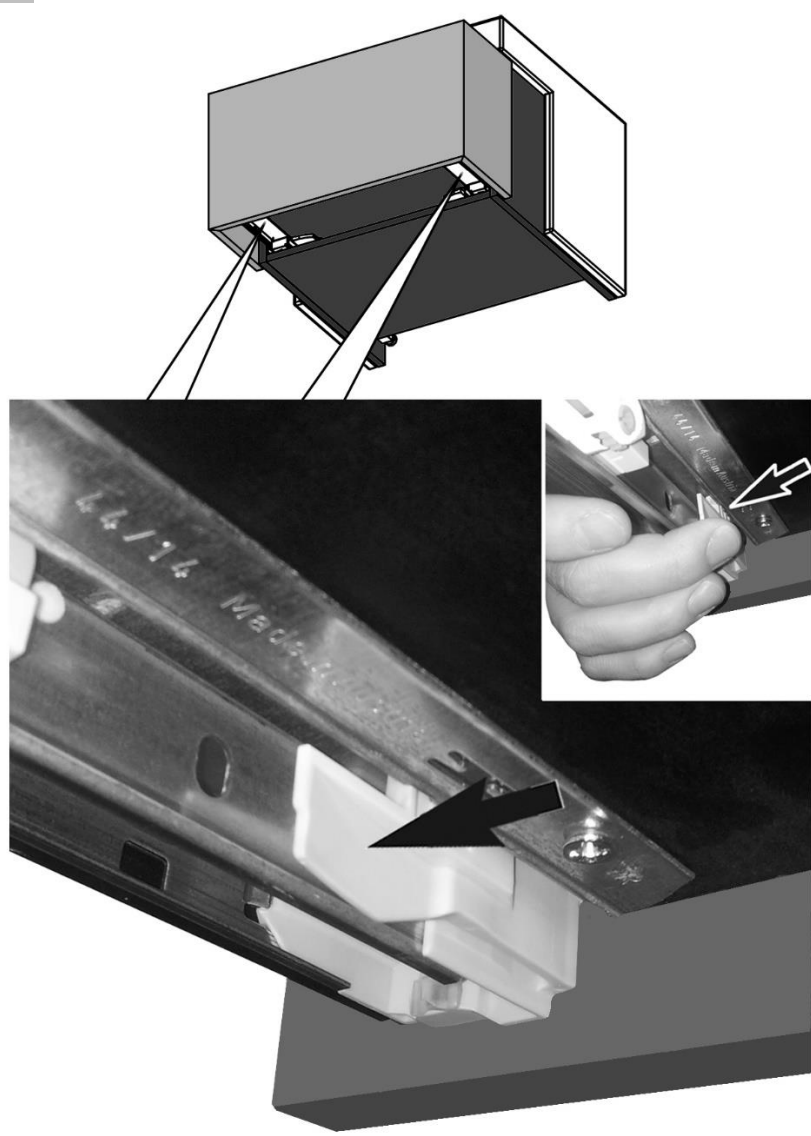


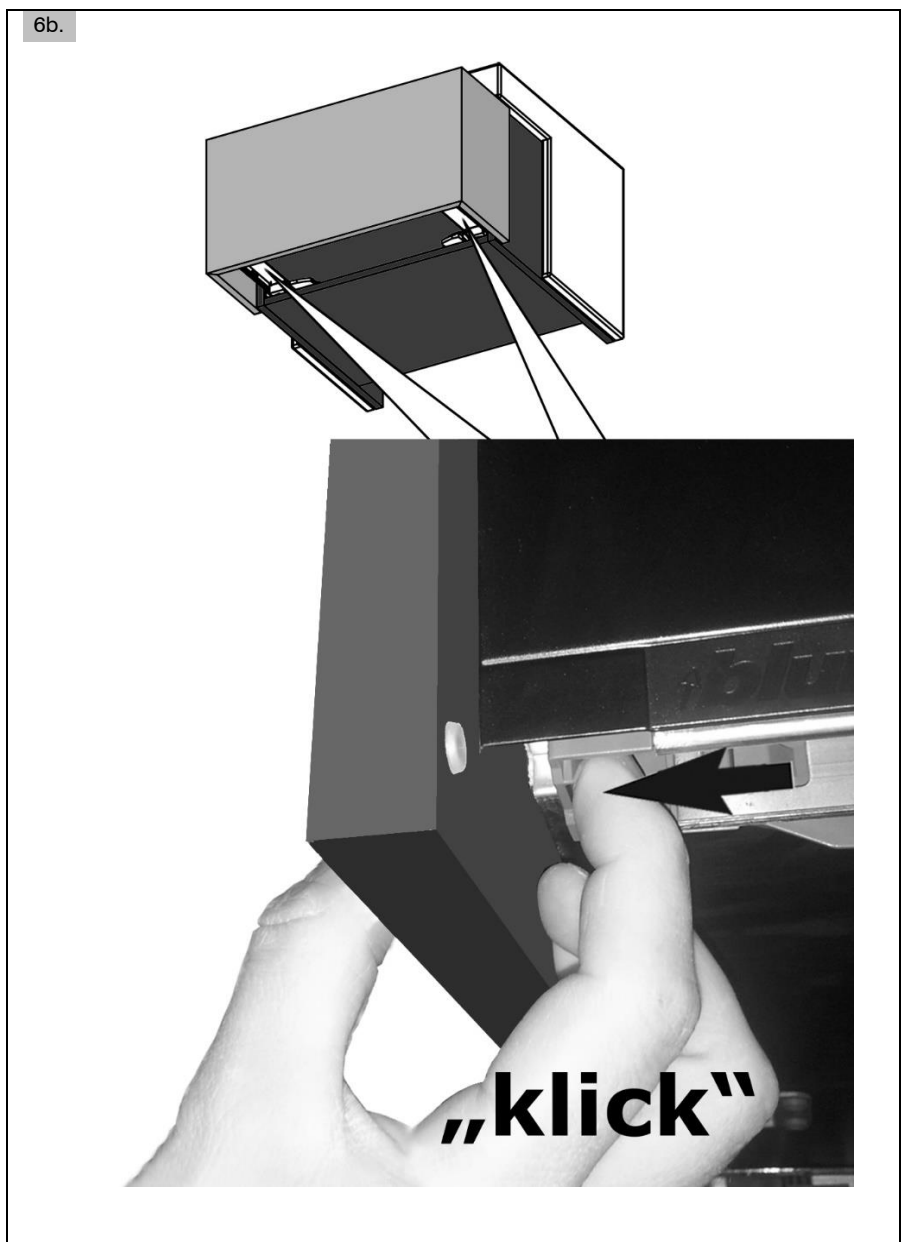
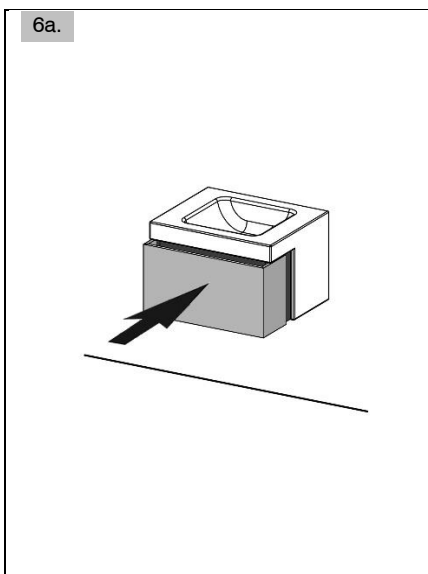
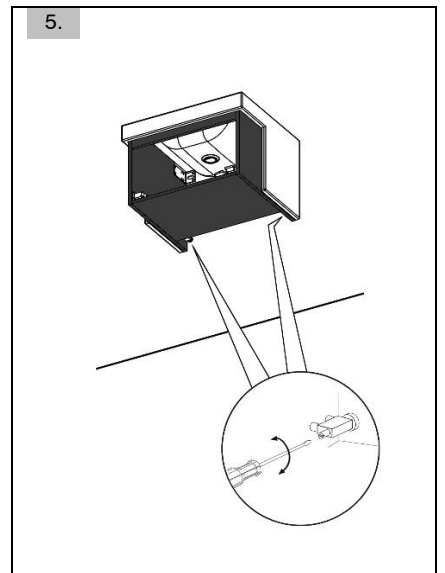
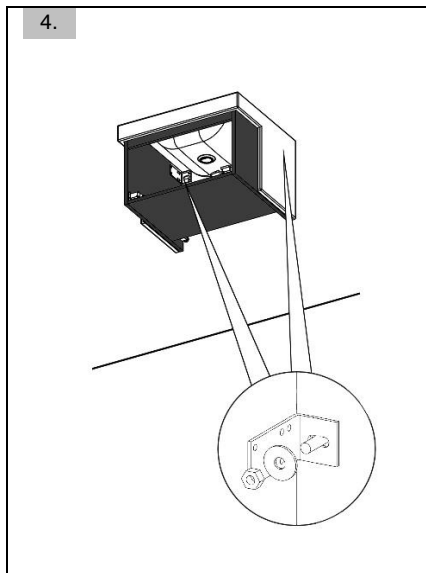
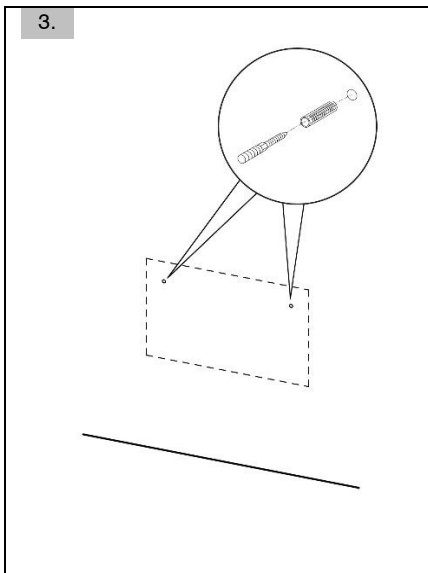
Measurements in mm

2a.



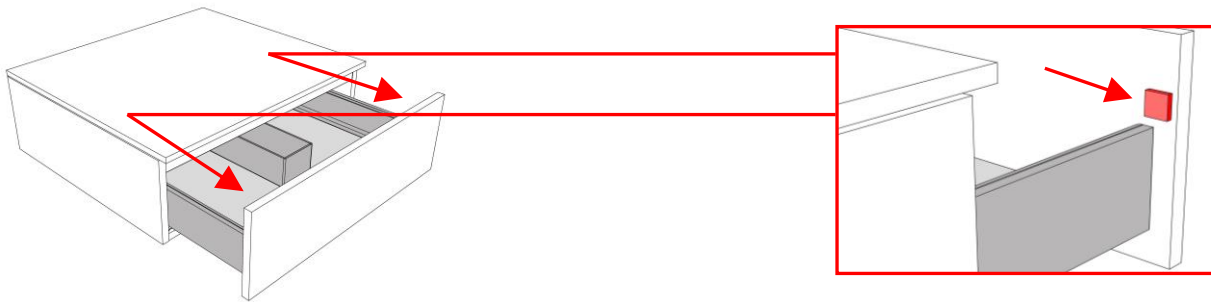
2b.



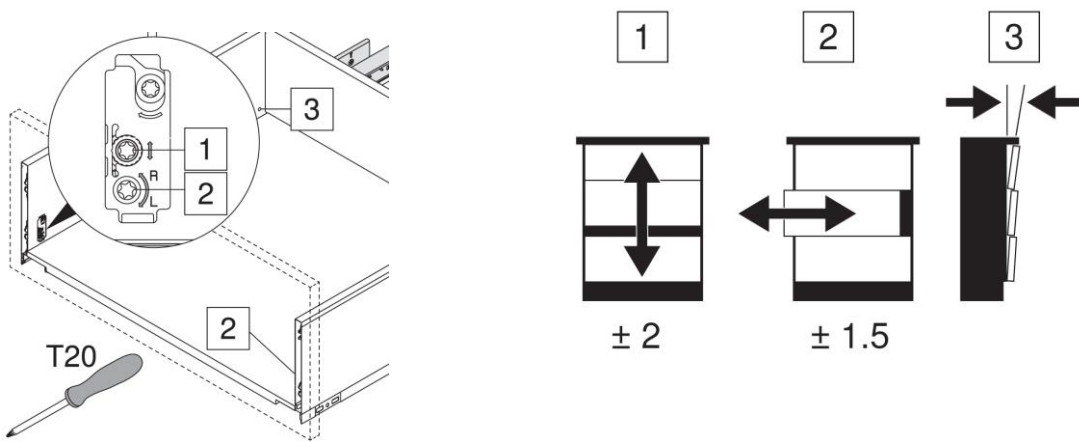


Instructions to align fronts

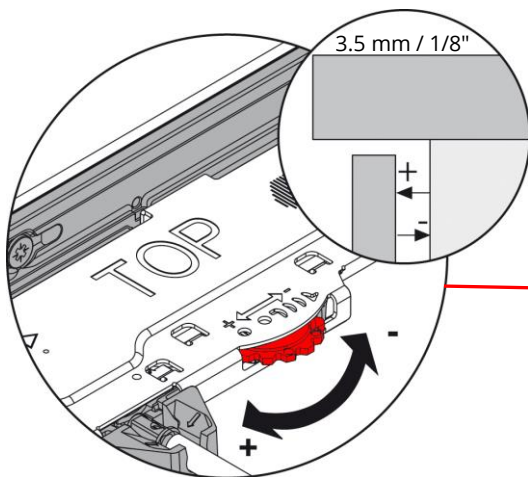
Remove the transport protection



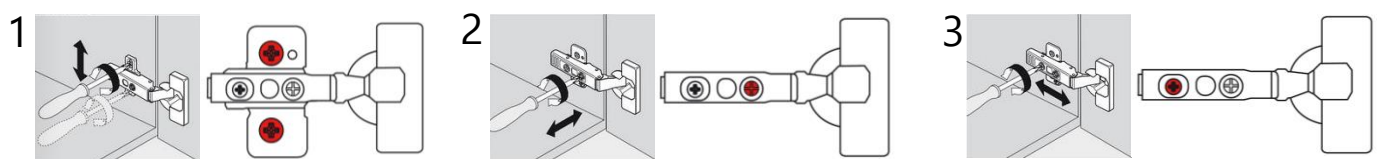
Align drawers



Attention: Set depth position equal on both sides
front gap 1/8"



Align doors



Technical changes, errors, misprints and omissions excepted!