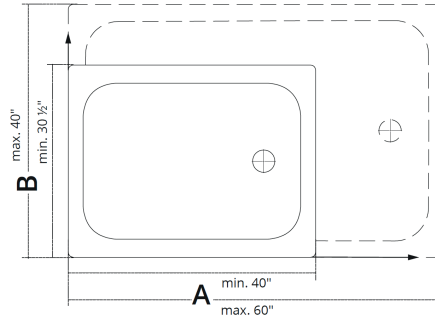
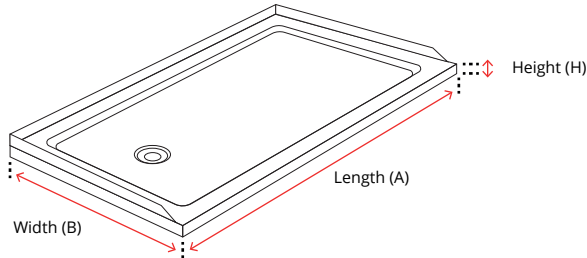


Order form Showerbase Flat / Super Flat Made to Measure

P.O.: _____ Date: _____ Distributor: _____



Height (H)

Flat (2 5/8")
Article: 2255-9999

Super Flat (1 3/8")
Article: 2277-9999



Length (A)

_____ inch (min 40", max 60")



Width (B)

_____ inch (min 30 1/2", max 40")

Drain Position &
Tile Flange

Drain Left
Tile Flange 3 sides
TF01



Drain Right
Tile Flange 3 sides
TF02



Without
Tile Flange

Drain Left
Tile Flange 2 sides
TF03



Drain Right
Tile Flange 2 sides
TF04



Colors

- white gloss (C001)
- white matte (C058)
- black matte (C003)
- biscuit-pergamon gloss (C043)
- dark gray matte (C061)
- light gray matte (C060)
- anthracite matte (C062)
- other color _____

Options

- Fast delivery (3 weeks from order date)
- CLEANEFFECT
- Custom-made round hole

Accessories

- Schmidlin mounting angles for tile flange / 4 pcs
- Schmidlin 2-corner tape-flange, 155"

Distributor Signature: _____

Slip resistant surface ANTIGLISS included.
Dimensional definition is possible in 1/2 inch steps.

Important: Please allow for a tolerance of up to 1/4" for bowl placement and overall dimensions.

Send this form with the P.O. to: order@schmidlin.ch

Carefully review inside vanity specifications to ensure that there is proper clearance to accommodate the bowl, drain and optional integrated overflow, if applicable. Please take into consideration the thickness of material under the counter-top when positioning sink bowl, using a deck-mounted faucet or when adding an overflow and drain set.