

Factsheet

History

Wilhelm Schmidlin founds 1947 the first and so far only steel bathtub factory in Switzerland. The factory is located in a mountain valley near Lucerne. Schmidlin is proud of their long tradition of innovation and quality. For this reason, Schmidlin continues to invest in its production facility in Switzerland and remains fully committed to it.

Since 2007 the family business has been managed by the two grandsons of Wilhelm Schmidlin, Beat and Urs Wullschleger. In 2015 Schmidlin decided to develop the North American market with specific localized products. Since 2017 the “North America Selection” is available and the US warehouse located in Miami is operational.



Products and material

Schmidlin produces a wide assortment of bathtubs, shower bases, washbasins, urinals and accessories, all made of its premium glazed titanium-steel material. The surface of Schmidlin's glaze is harder than marble, acrylics and other solid surfaces. It is non-porous and resistant to abrasion, heat and UV-rays. Our steel manufacturing workshop gives us great flexibility to fulfil customer requirements. We are able to produce to the measure with very short lead times.



Advantages of glazed titanium-steel



Strong and resistant



Optical, haptic and hygienic
easy to clean properties of glass



Colour- and lightfast

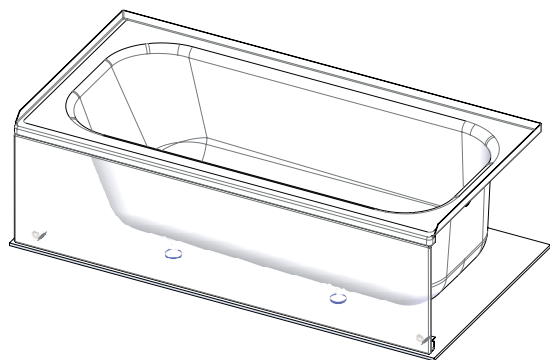


Optimum thermal conductivity



Long life guaranteed

Assortment and individuality



Schmidlin offers standard bathtubs, shower bases and washbasins with a superb price/performance ratio. The standard 60" x 30" bathtub has an integral tile-flange and an optional magnetic apron that is also available in colours like black matt which gives it a nice dual color look. Other advantages of this concept is the possibility to nest the tubs on a pallet (10 tubs fit easily on a 60"x30" pallet) and the use of the exact same tub for a tiled apron and for an integral apron installation.

Made to Measure

Schmidlin is able to produce to the measure. On the VARIO washbasins we are offering a special delivery option by airfreight directly from the Swiss factory.

The delivery can be expected within 2 weeks after ordering at: order@schmidlin.ch.



Magnetic Accessories

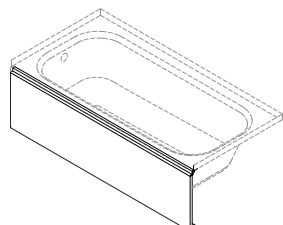
Due to the nature of our base material (steel) all our products are magnetic. For this purpose, we developed a wide assortment of magnetic accessories such as:



RELAX magnetic multifunction pillow



ELEMENT magnetic candle holder



60'' magnetic apron



ELEMENT magnetic soap dish



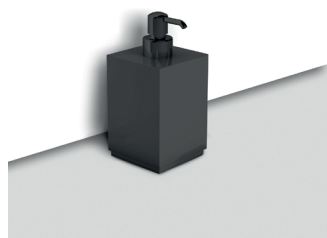
ELEMENT magnetic glass holder



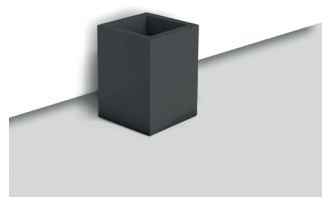
ELEMENT magnetic soap dispenser



ELEMENT magnetic towel holder



MAGNO magnetic soap dispenser



Magno magnetic towel toothbrush holder

Product Options

Beside our wide assortment of gloss and matte colours and customer specific holes we also offer special options that take advantage of our special material such as:



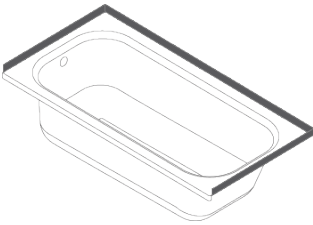
Washbasin with integrated tissue paper dispenser



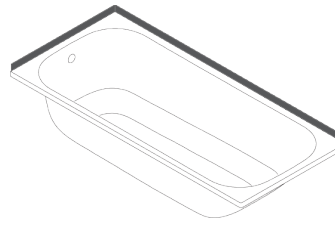
Undermount towel holder for wall mounted ORBIS MINI washbasins

Integral Tile Flanges

Schmidlin offers integrated tile flanges on 3 sides for a waterproofed installation in the alcove. Further to this Schmidlin also offers tile flanges on 2 sides for a corner installation. This innovation is unique on the market and it gives layout flexibility to the planner.



Tub with tile-flanges on 3 sides for the alcove-installation (drain left and right available).



Tub with tile-flanges on 2 sides for the corner-installation (drain left and right available).

Colors

Schmidlin offers its products not only in glossy white. The outstanding surface properties of glazed titanium steel can also be offered in several colors and in matte shades of gray and black.

Logistics and warehousing

Schmidlin runs a warehouse in Miami. Standard products are stored there and can be delivered at short notice.

Special products and standard products in special designs are available directly from the factory in Switzerland. Thanks to efficient production-procedures the Schmidlin manufacturing-facility is known for its short delivery times.

The delivery costs are standardized and on customers request, the products can also be shipped by air freight.