



Quick Facts

NPF Series



Condensing Hydro-furnace

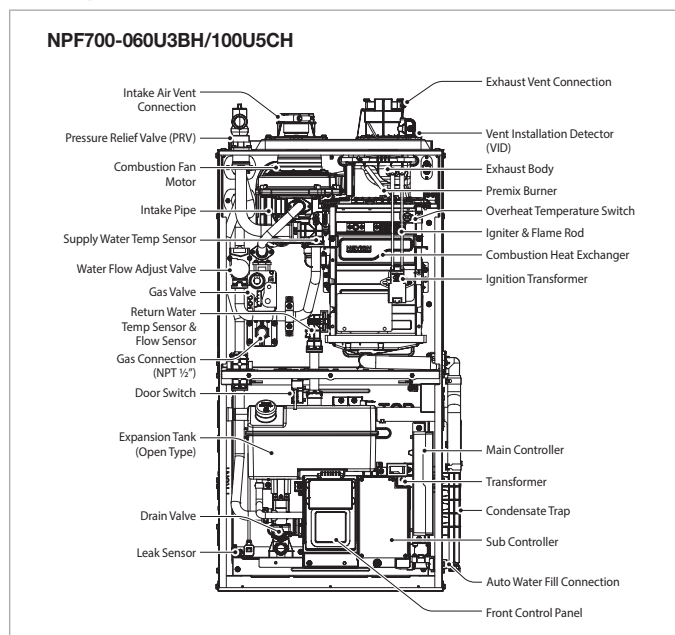
Heating Capacity and Efficiency

Items		NPF700-060U3BH	NPF700-100U5CH
Heating (gas input) natural/propane gas (BTU/h)	Max heat	60,000	100,000
	Min heat	9,000	14,000
AFUE (%)		97	97
AHRI number		213301707 (NG/LP)	213301708 (NG/LP)
Certified temperature rise range °F (°C)	Max heat	45-75 (25-42)	
	Min heat	5-35 (3-19)	10-40 (6-22)
Burner control		Modulating	

Airflow Capacity and Blower Data

Items		NPF700-060U3BH	NPF700-100U5CH
Certified external static pressure	Heating	Certified external static pressure 0.1" to 1.0" WC	
	Cooling		
Airflow delivery range [CFM] (Rated ESP)	Max heat	720-1,200	1,200-2,000
	Min heat	350-1,200	400-2,000
	Cooling	1,200	2,000
Nominal cooling capacity (TON)	@400CFM	1.5-3.0	2.0-5.0
	@350CFM	1.5-3.5	2.0-5.5
Circulator blower	DxW	12" x 10"	12" x 12"
	Horsepower	1/2	1
	Motor full load amps	7.6	11.0
	Motor speed & type	Variable, Electronically Commutated Motor (ECM)	

Components



Specifications

Items		NPF700-060U3BH	NPF700-100U5CH
Installation type		Upflow	
Venting type		Forced draft direct vent or non-direct vent	
Maximum vent length	2"	70 ft.	
	3"	140 ft.	
Ignition		Electronic ignition	
Natural gas supply pressure (from source)		3.5" to 10.5" WC	
Propane gas supply pressure (from source)		8.0" to 13.0" WC	
Natural gas manifold pressure		-0.01" to -0.02" WC	
Propane gas manifold pressure		-0.01" to -0.02" WC	
Gas connection size		1/2" NPT	
Water connection size		1/4" NPT	
Condensate size		3/4" NPT	
Materials	Casing	Corrosion resistant baked on pre-painted steel	
	Combustion heat exchanger	Stainless steel	
	Hydronic heat exchanger	Copper & aluminum	
Venting	Exhaust	2" or 3" PVC, CPVC, approved PP 2" or 3" special gas vent type BH (Class III, A/B/C) 2" or 3" SS	
	Intake	2" or 3" PVC, CPVC, PP 2" or 3" special gas vent type BH (Class III, A/B/C) 2" or 3" SS	
	Vent clearance	0" to combustibles	
Safety devices		Flame rod, ignition operation detector, water temperature high limit switch, high limit sensor for exhaust temperature, Vent Installation Detector (VID), water level sensor, burner high limit sensor, Pressure Relief Valve (PRV), leak sensor	
Dimensions in (mm), WxDxH		17.5 x 31 x 34.5 (445 x 787 x 876)	21 x 31 x 34.5 (533 x 787 x 876)
Shipping weight lb (Kg)		145.0 (65.8)	167.6 (76.0)
Power supply		120V AC, 60 Hz	
Max current (A)		10.9	14.3
Circuit breaker amps (A)		15	20
Wire size (AWG)		14	12

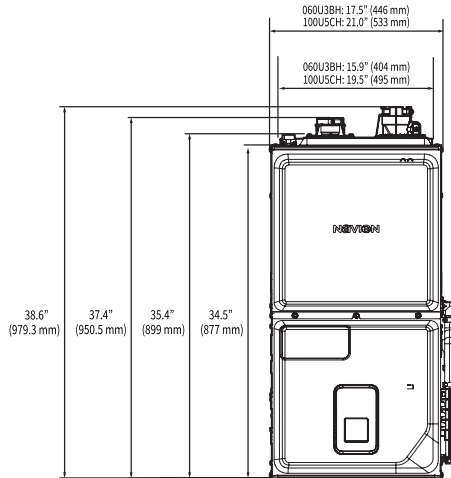
Warranty

	Registered Furnaces	Non-Registered Furnaces
Heat exchanger	Lifetime*	20 Years**
Parts	10 Years*	5 Years**
Labor	1 Year*	1 Year**

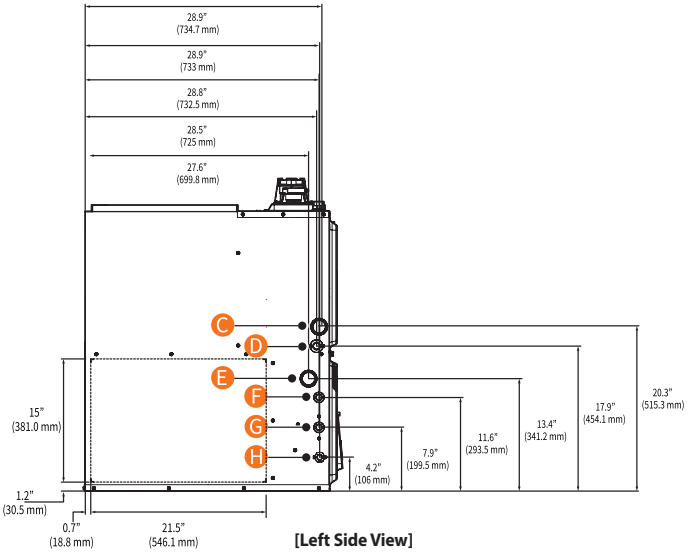
*Limited warranties to original owner in residential applications with prompt registration.
 **20-years heat exchanger, 5-year parts, and 1-year labor for non-registered furnaces.
 See warranty card for complete details and restrictions.

Dimensions

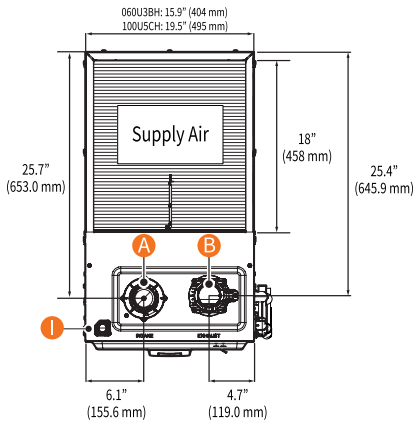
NPF700-060U3BH/100U5CH



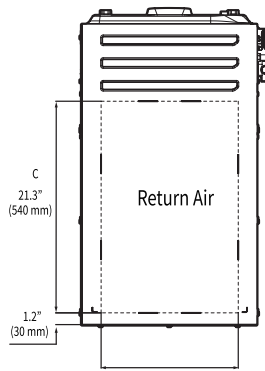
[Front View]



[Left Side View]

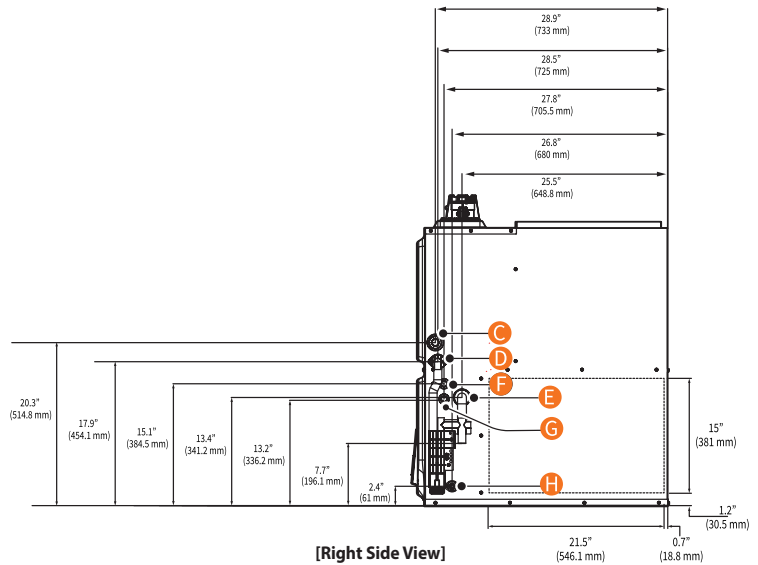


[Top View]



[Bottom View]

Connection Size	
A Air Intake	Ø 2"
B Exhaust Gas Vent	Ø 2"
C Gas Connection	Ø 1.8" (NPT 1/2")
D Condensate Drain	Ø NPT 3/4"
E Overflow Connection	Ø 1.8" (Ø44.5 mm)
F Low Voltage Electrical Connection	Ø 0.9" (Ø22.2 mm)
G Line Voltage Electrical Connection	Ø 0.9" (Ø22.2 mm)
H Water Supply Connection	Ø NPT 1/4"
I Pressure Relief Valve Connection	Ø NPT 3/4"



[Right Side View]



Navien Inc. Navieninc.com 800-519-8794
20 Goodyear, Irvine, CA 92618

We are @Navieninc everywhere



Navien Canada, Inc. Navieninc.ca 800-519-8794
555 Hanlan Rd., Unit 7, Vaughan, ON L4L 4R8

