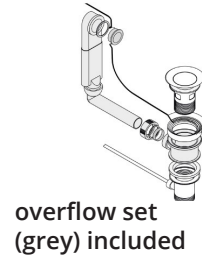
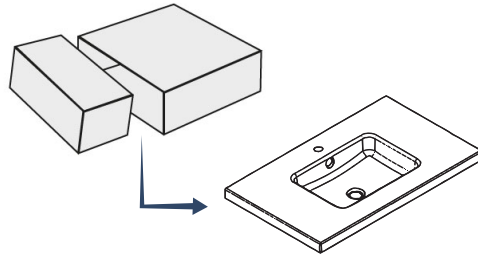


Schmidlin counter-top washbasins

Schmidlin ORBIS/MERO/MERO MINI

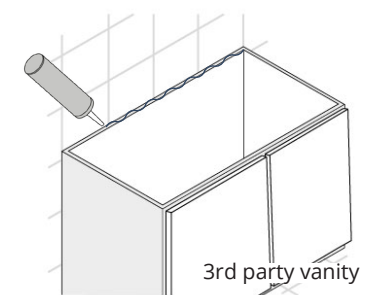
Package contents



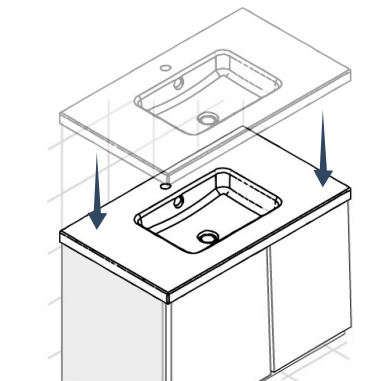
Required tools and parts



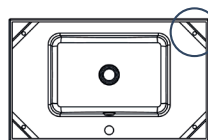
Installation



01. apply glue or silicone onto vanity rim



02. position Schmidlin counter-top and press firmly into adhesive



Integrated struts support counter-top installation on most vanities

Subject to changes. Products may differ from illustrations.

Schmidlin counter-top washbasins

Assembly